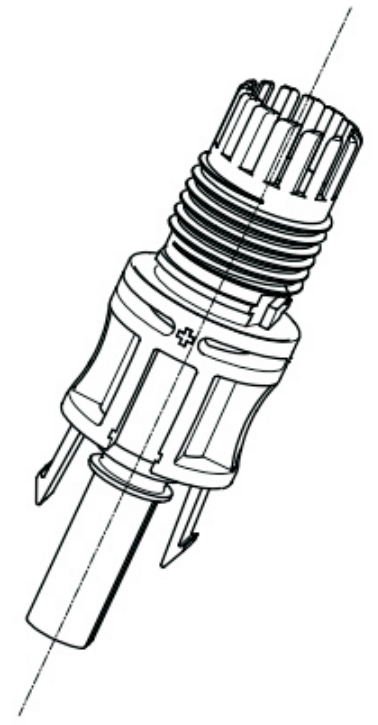
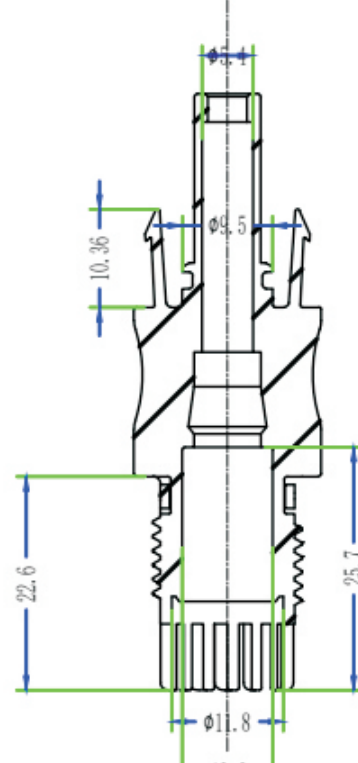
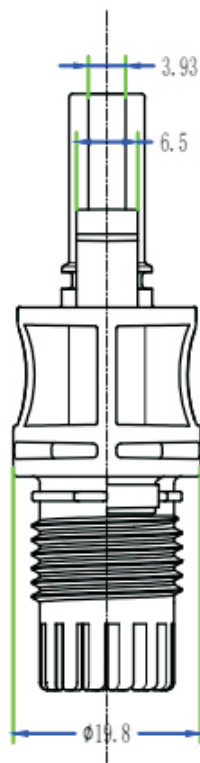
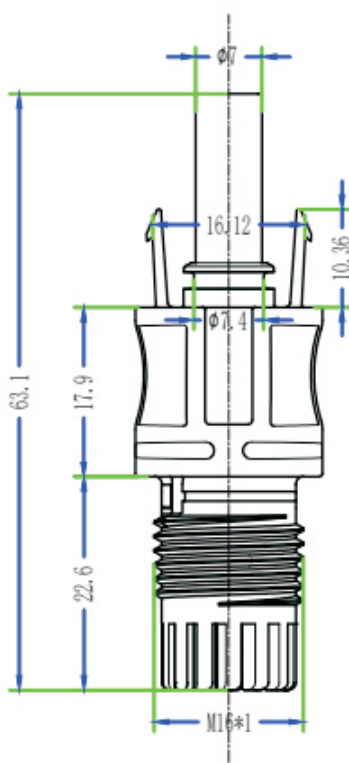
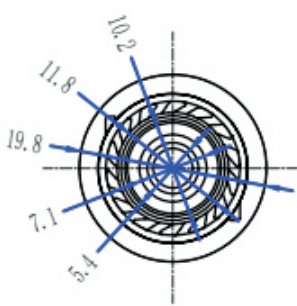


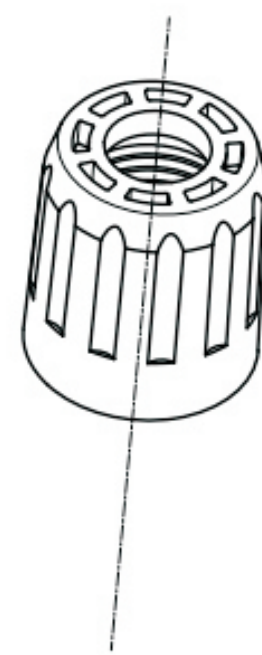
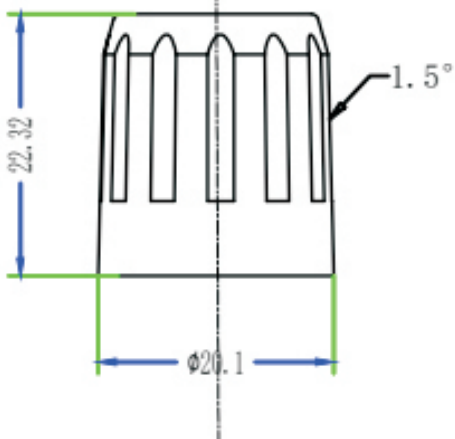
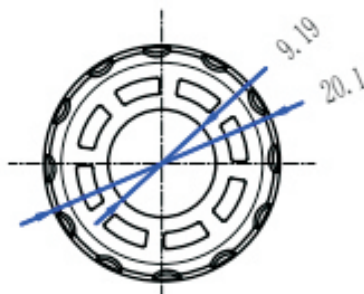
Technical Requirement:
 1. Material: PPO PX9406R from Sabic
 2. Tolerance: ±0.1

Measure		Part No.	Scale	1:1				
Unit	mm	2023-5-7	LQ-1W	Q'ty	1pc			
Name	Negative holder					Material	PPO	



Technical Requirement:
 1. Material: PPO PX9406R from Sabic
 2. Tolerance: ±0.1

Measure		PART NO.		Scale	1:1			
Unit	mm	2023-5-7	LQ-01F	Q'ty	1pc			
Name	Positive holder					Material	PPO	



Technical Requirement:
 1. Material: PA66 A3 GF30, A3 H G6 from NILIT (SUZHOU)
 2. Tolerance: ±0.1

Measure		Part No.	Scale	1:1				
Unit	mm	2011-5-12	LQ-1N	Q'ty	2pcs			
Name	Sut					Material	PA66	

NO. 内容

