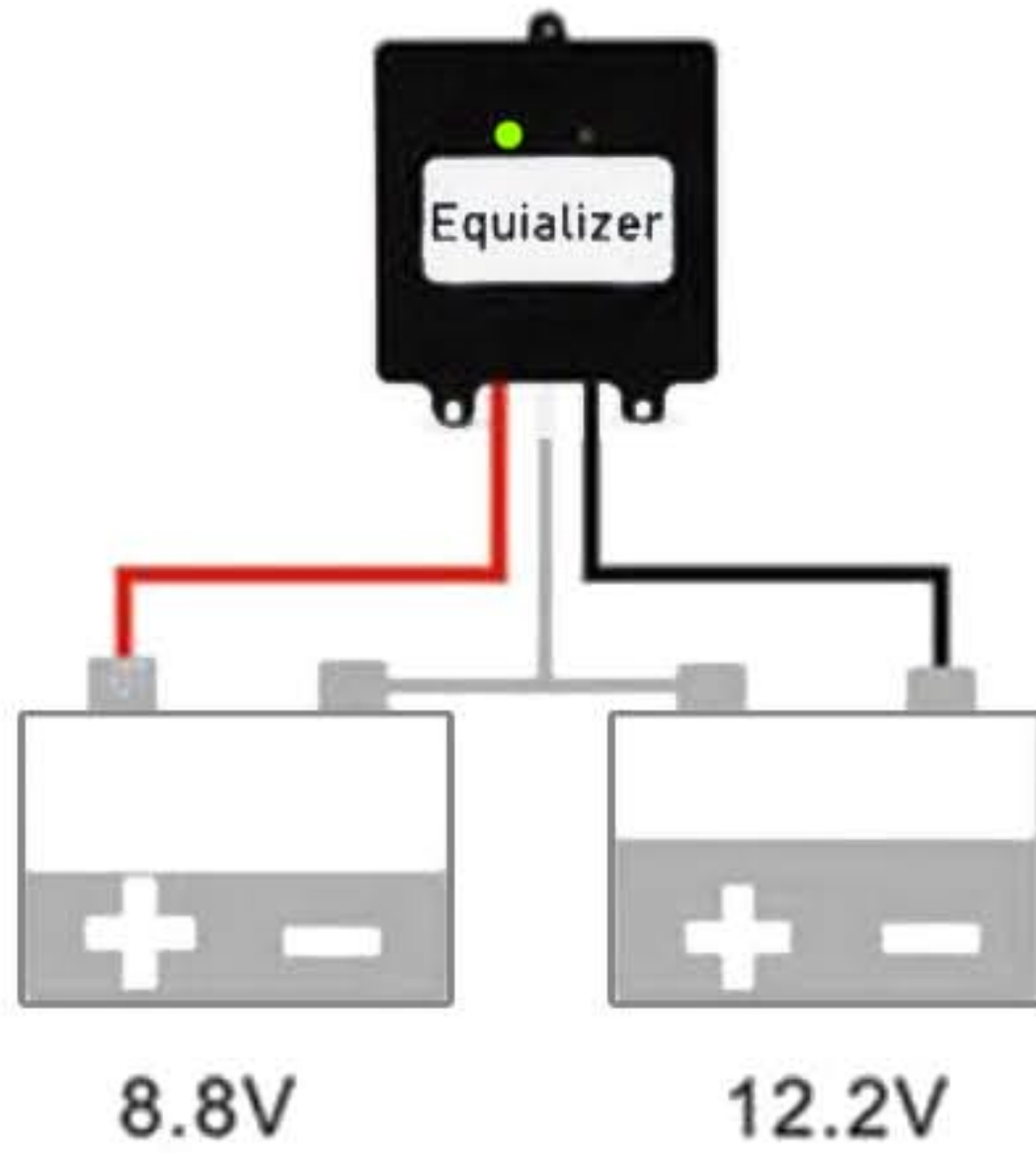
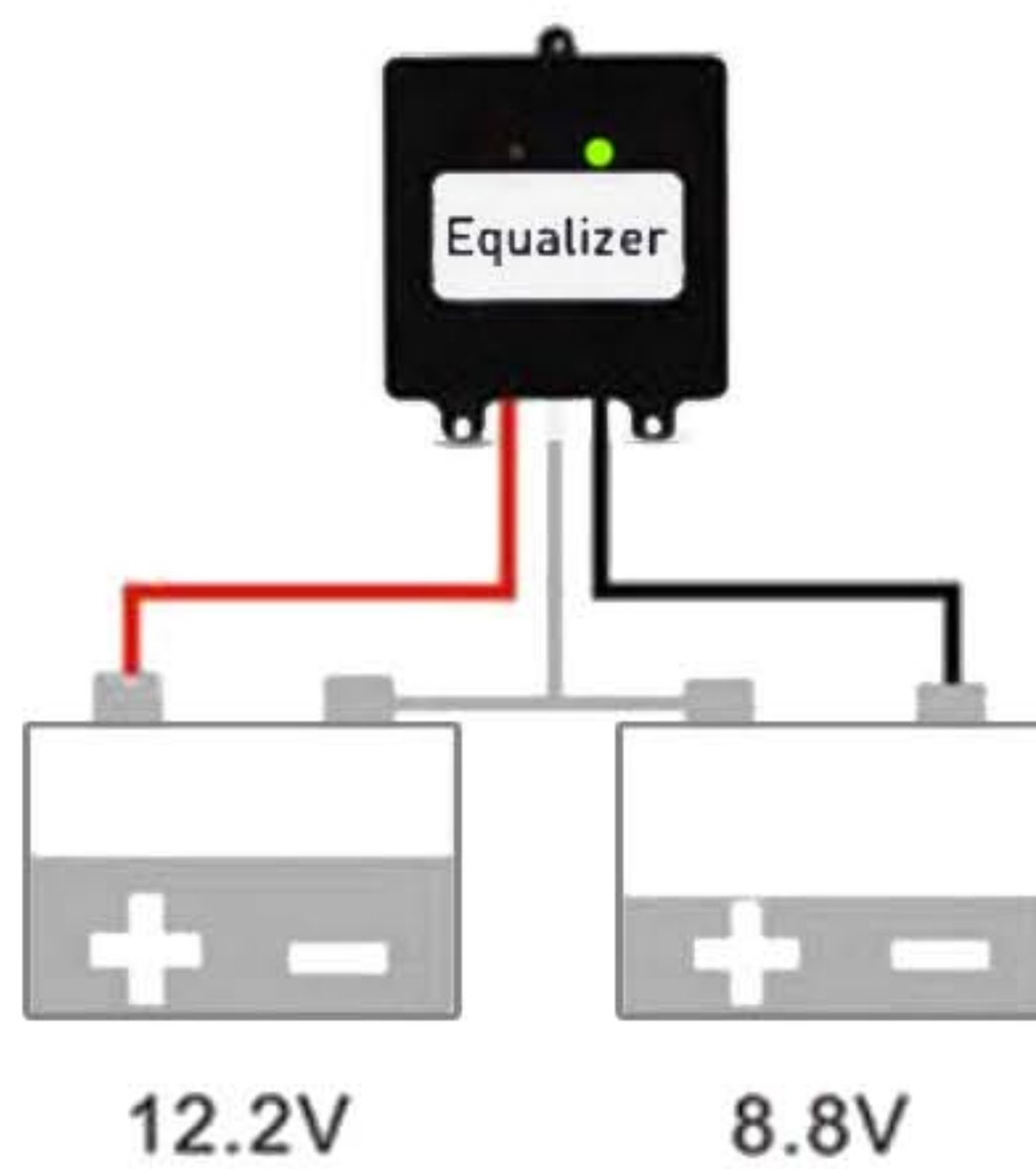


When Battery A or Battery B voltage is < 10V.

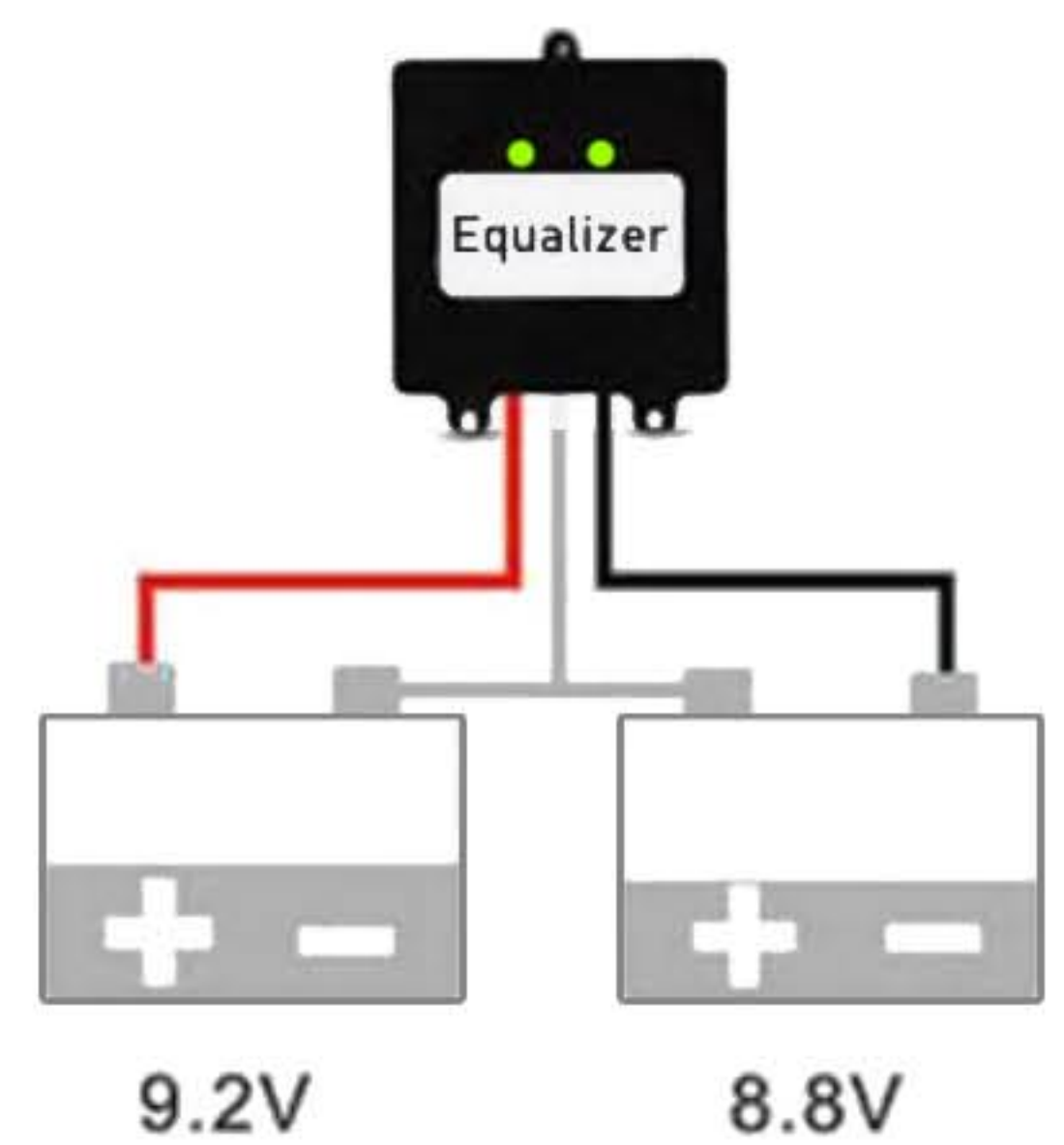
Battery A Voltage > 10V
A Light up, B Light off



Battery B Voltage > 10V
B Light up, A Light off

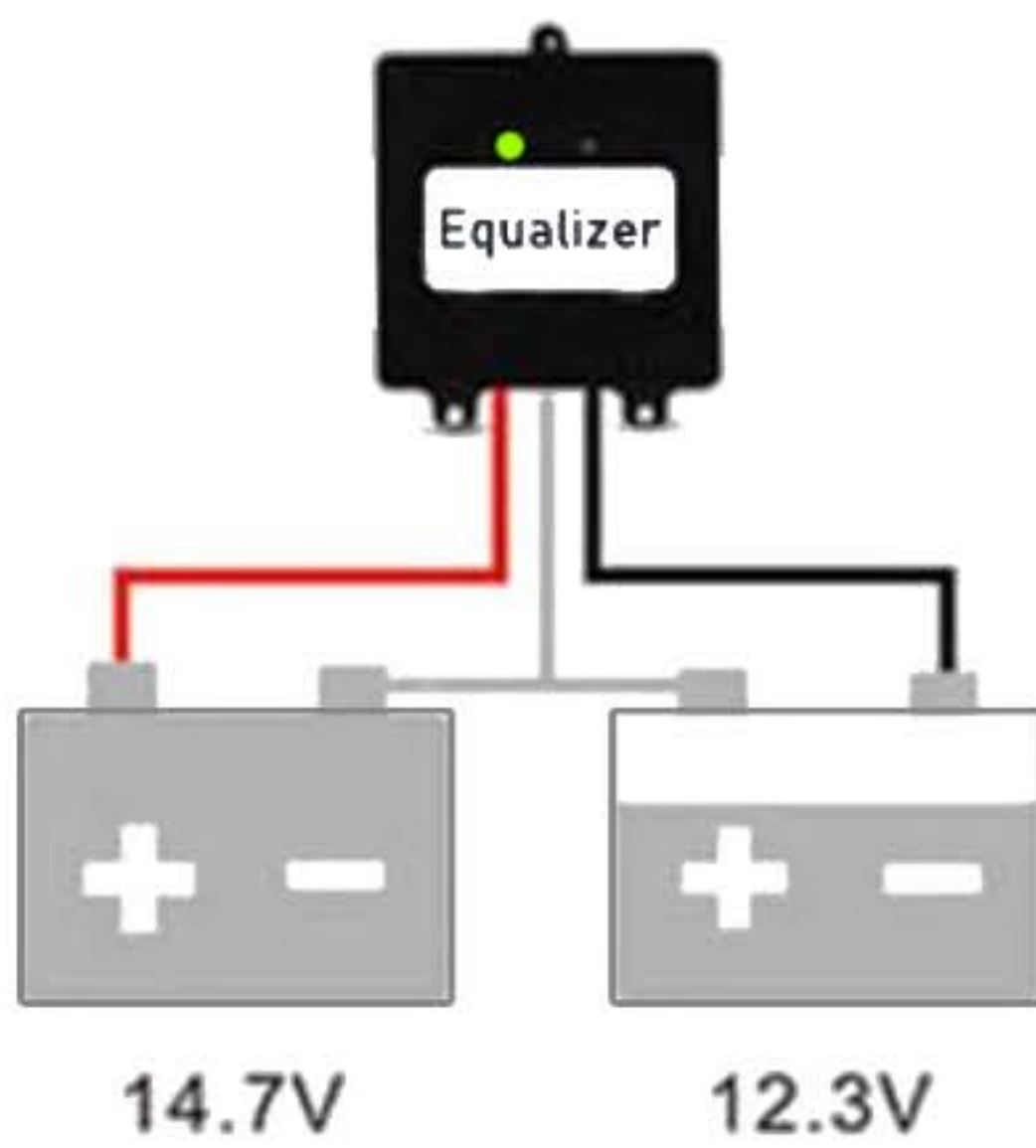


Both Battery A & Battery B < 10V
A & B Light up

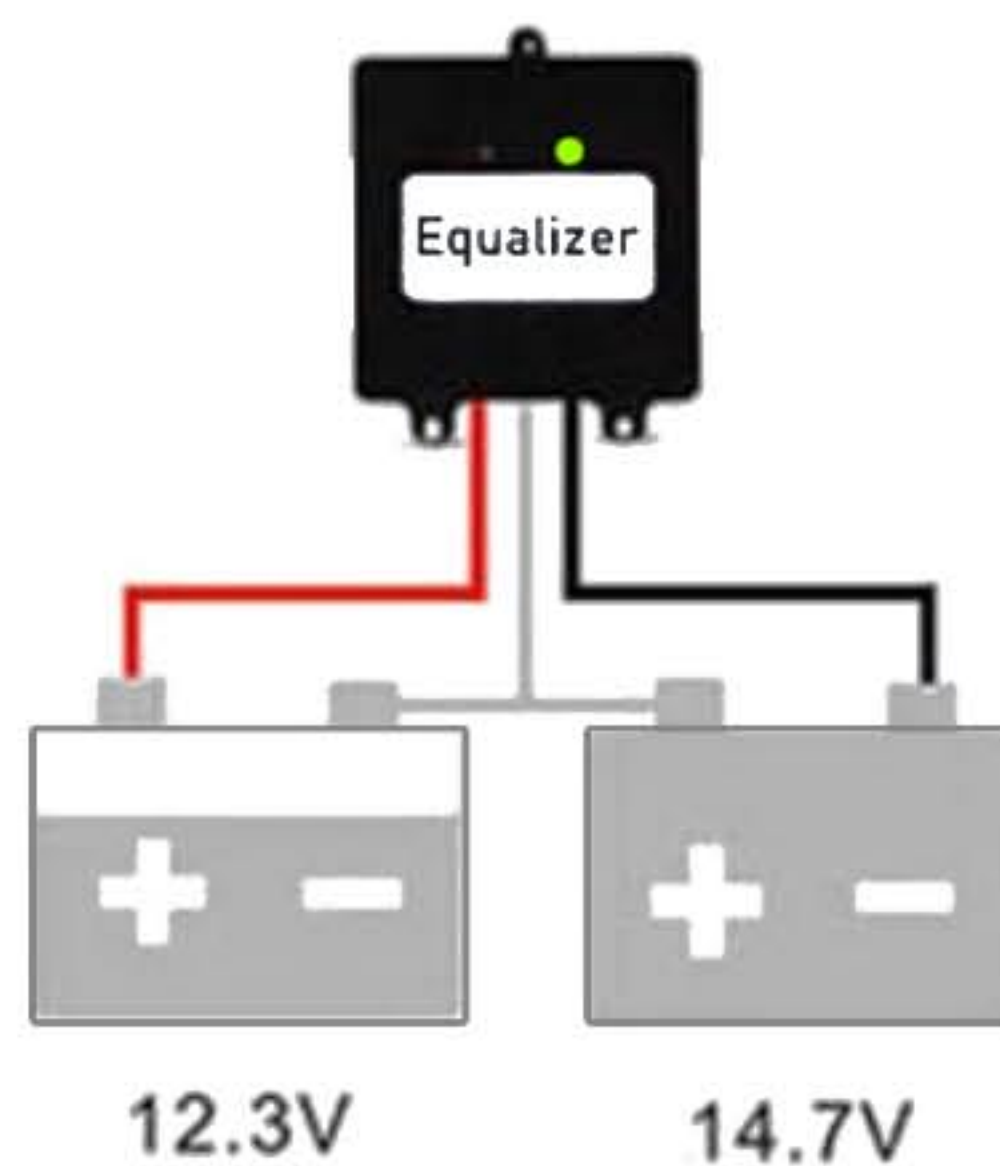


When Battery A and Battery B Voltage > 10V

Battery A Voltage > Battery B
A Light up, B Light off



Battery B Voltage > Battery A
B Light up, A Light off



Battery A & Battery B Voltage Balanced
A & B Light off

